

DTC PREMIUM CABINET 19 INCH



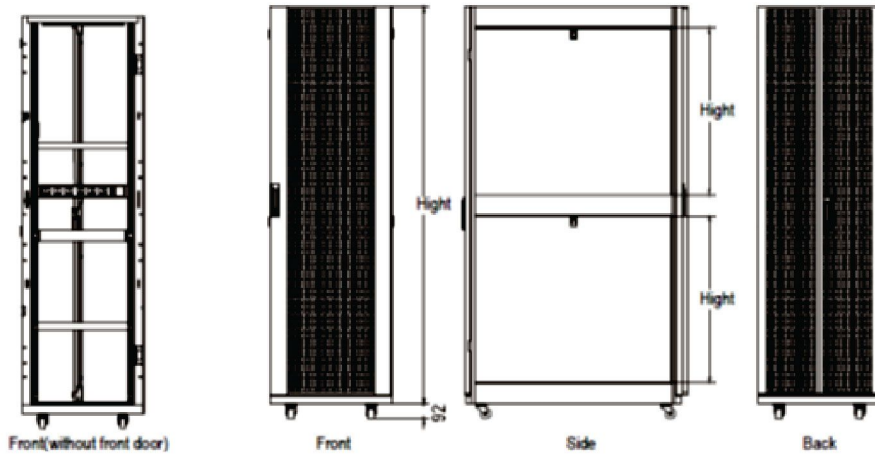
STANDARIZATION

- Comply with ANSI / EIA-RS-310-D, DIN41491 ; PART1, IEC297-2, IEC 60297, DIN41494 ; PART7, GB/T3047.2-92

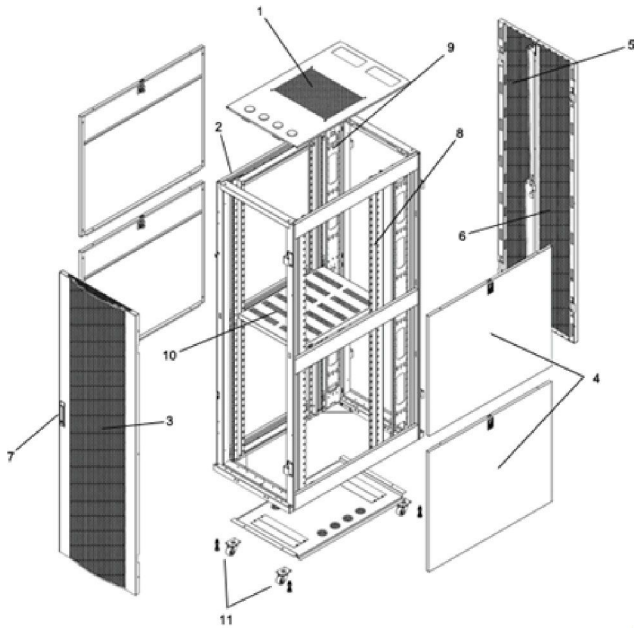
FEATURE

- Finishing: degreasing, pickling, phosphoric, powder coating
- Curved perforated front door and double section rear door enable equipment protection (+/- 80 %)
- Nine fold section steel for the frame
- Adjustable feet and heavy duty castor are available at the same time static loading: more than 1500 KG
- Advanced lock, efficient and solid cabinet connection
- Top and bottom wiring channel can be closed and adjusted. Bottom plate with earthing kits
- Optional plinth to meet under base wiring, ventilation and rat-proof
- Standard available;
42U - 2150 x 600 x 1200 mm

DIMENSION



STRUCTURAL



1. Top Cover 1.5 mm cold rolled steel
2. Frame 2.0 mm cold rolled steel
3. Front Door 1.5 mm cold rolled steel
4. Side Door 1.5 mm cold rolled steel
5. Left Door 1.5 mm cold rolled steel
6. Right Rear Door 1.5 mm cold rolled steel
7. Lock type euro-auto lock system
8. Mounting rail
9. Vertical cable management type ring
10. Fixed shelf
11. Heavy duty castor



DTC PREMIUM CABINET 24 INCH



STANDARIZATION

- Comply with ANSI/EIARS-310-D, DIN41491;PART1, IEC297-2, DIN41494 ; PART7, GB/T3047.2-92 standard

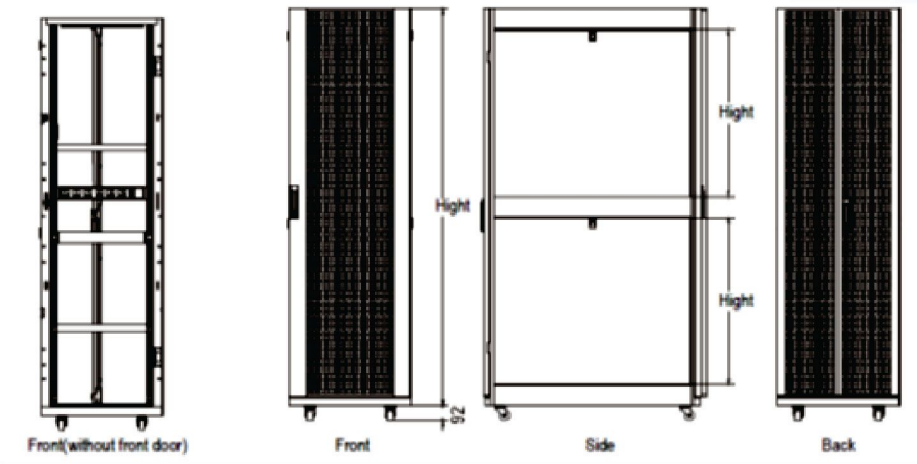
FEATURE

- Finishing: degreasing, pickling, phosphoric, powder coating
- Curved perforated front door and double section rear door enable equipment protection
- Nine fold section steel for the frame
- Adjustable feet and heavy duty castor are available at the same time static loading: more than 1500 KG
- Advanced lock, efficient and solid cabinet connection
- Top and bottom wiring channel can be closed and adjusted. Bottom plate with earthing kits
- Optional plinth to meet under base wiring, ventilation and rat-proof
- Standard available
30U 1535 x 800 x 1000/1100/1200 mm
42U 2065 x 800 x 1000/1100/1200 mm
46U 2175 x 800 x 1000/1100/1200 mm

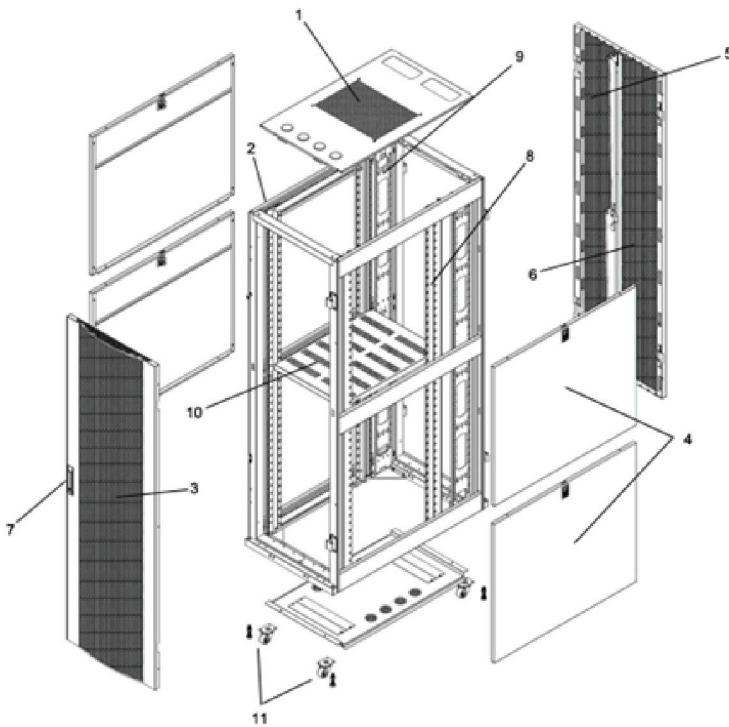
APPLICATION

- Widely applied in Finance, Securities and Data Centre and adapted by professional servers network providers, as IBM, SUN, HP, COMPAQ, DELL, etc

DIMENSION



STRUCTURAL



1. Top Cover 1.5 mm cold rolled steel
2. Frame 2.0 mm cold rolled steel
3. Front Door 1.5 mm cold rolled steel
4. Side Door 1.5 mm cold rolled steel
5. Left Door 1.5 mm cold rolled steel
6. Right Rear Door 1.5 mm cold rolled steel
7. Lock type euro-auto lock system
8. Mounting rail
9. Vertical cable management type ring
10. Fixed shelf
11. Heavy duty castor

