

DTC MODULAR JACK UTP CAT 6

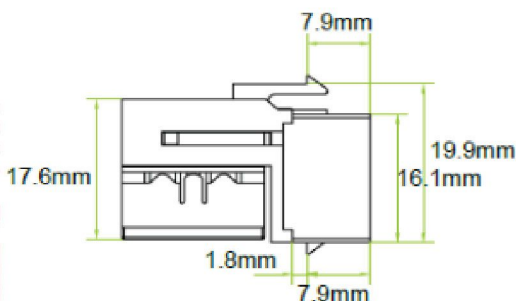


DESCRIPTION

- The new style Jack provides Category 6 system performance and user-friendly installation features it features dual color-coded wiring label with both T568A/B wiring pattern. Rear termination field for easy termination of a jack while installed in a wall plate, surface mount boxes, and blank patch panels for a wide variety of Applications

APPLICATION

- Available in Cat 6, T568A/B wiring schemes, meet or exceed TIA/EIA Cat 6 requirements
- Housing : high temperature thermoplastic
- Compact jack design, 8 positions and 8 conductors
- Contact : phosphor bronze , phosphor bronze with 6 to 50μ" gold plate
- Accept 22-26 AWG solid with a insulation diameter of 0.4-0.6 mm
- High reliability and superior performance
- Available in different colors (Blue, White, Green, Black, Red)



Description	Parameter
Contact Resistance Max.	100mΩ
Insulation Resistance Min.	500MΩ
Return Loss dB	5.8dB
Next dB	4.7dB
PSNEXT dB	5.5dB

