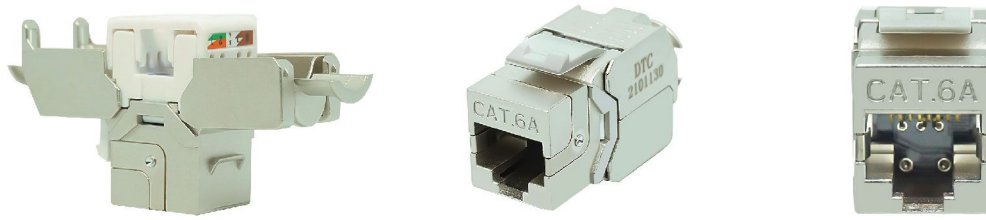


DTC MODULAR JACK UTP CAT 6A

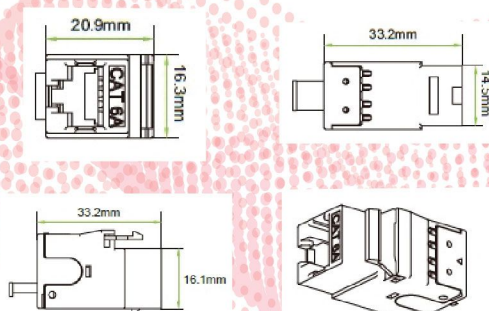


DESCRIPTION

- The new style Jack provides Category 6A system performance and user-friendly installation features. A shielded is available to maximum protection from EMI/RFI interference, the compact size provides high density connectivity in the work area and telecommunications room.

APPLICATION

- Available in Cat 6A, T568A/B wiring schemes, meet or exceed TIA/EIA Cat 6A requirements
- Shielding protects against EMI/RFI interference
- Housing : high temperature thermoplastic
- Compact jack design, 8 positions and 8 conductors
- Contact : phosphor bronze , phosphor bronze with 6 to 50 μ " gold plate
- Accept 22-26 AWG solid with a insulation diameter of 0.4-0.6 mm
- Easy to be terminated, low attenuation loss and high return loss
- High reliability and superior performance
- Available in different colors (Blue, White, Green, Black, Red)



Description	Parameter
Contact Resistance Max.	100m Ω
Insulation Resistance Min.	500M Ω
Return Loss dB	5.8dB
Next dB	4.7dB
PSNEXT dB	5.5dB